

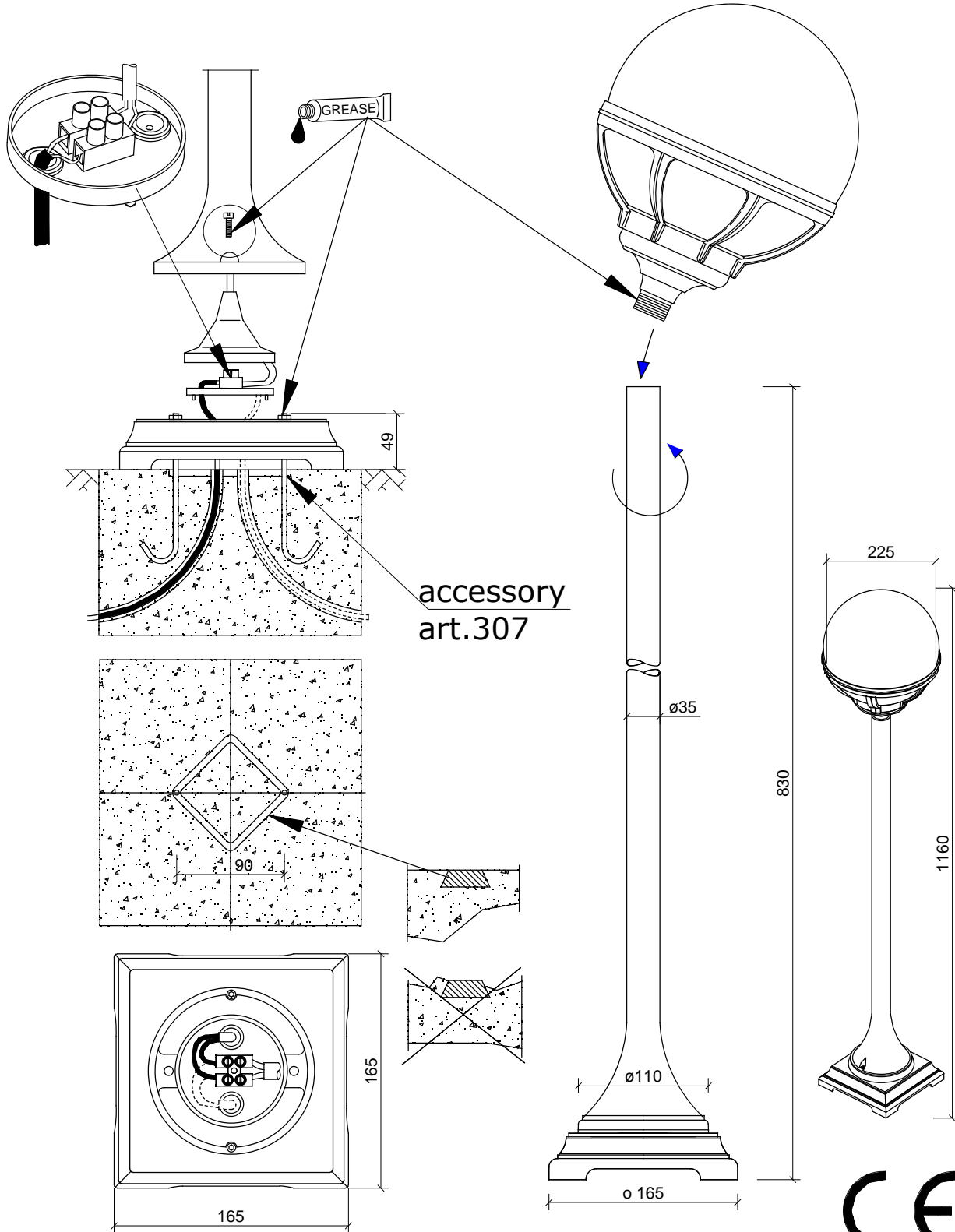
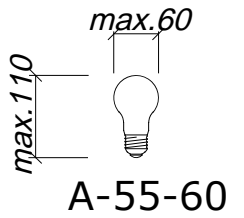
BOLOGNA

Art.314xx

E27, 46W, QA55

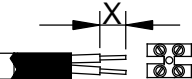
Art.315xx

E27, 46W, QA55



$\triangleleft 1,5^\square$ x=10mm
 $1,5 \div 2,5^\square$ x=12mm

ø5-12mm



2x max.2,5[□]

