

~220...240V 50...60Hz

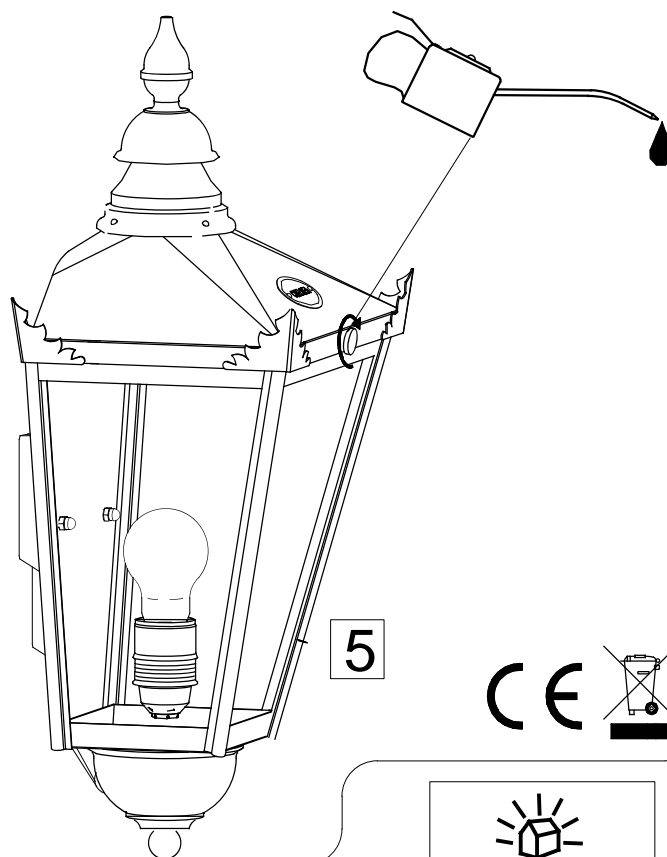
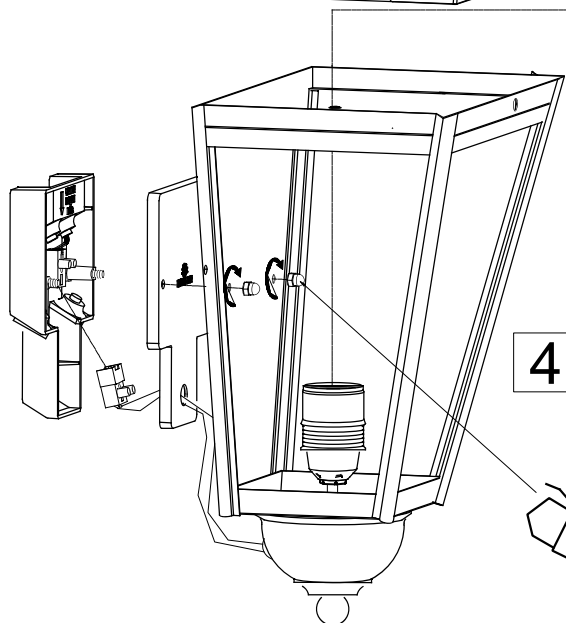
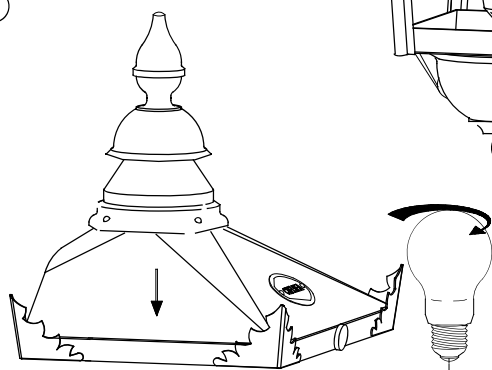
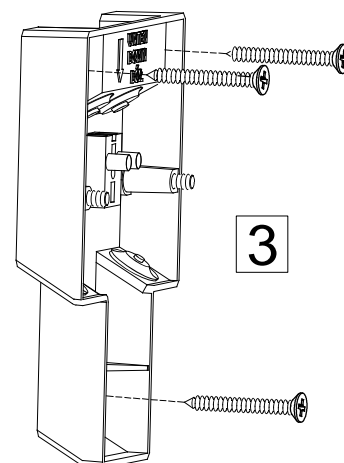
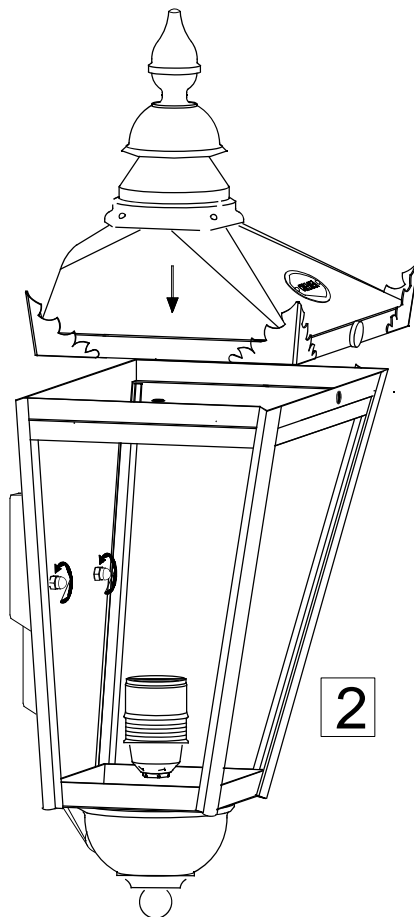
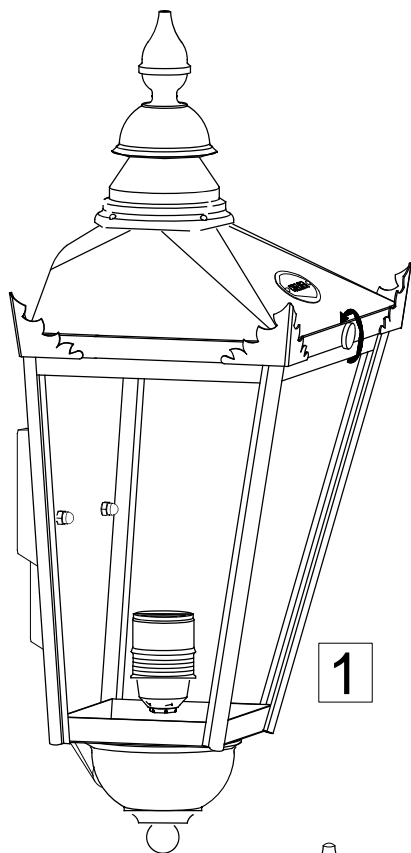
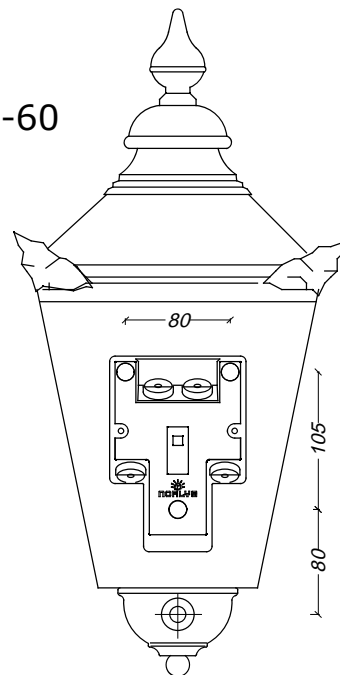
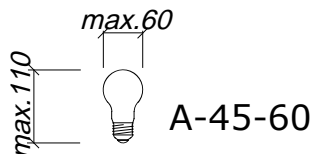
Class II 

IP44

Art.: 950CO0009

QA55 E27 77W

A60 LED E27 max.13,5W



GASKET



Ø6-10mm

<1,5[□]

x=10mm

x=12mm

2x max.2,5[□]

PZ

8mm

ø8x45

max.2,5[□]

