

~230V 50Hz

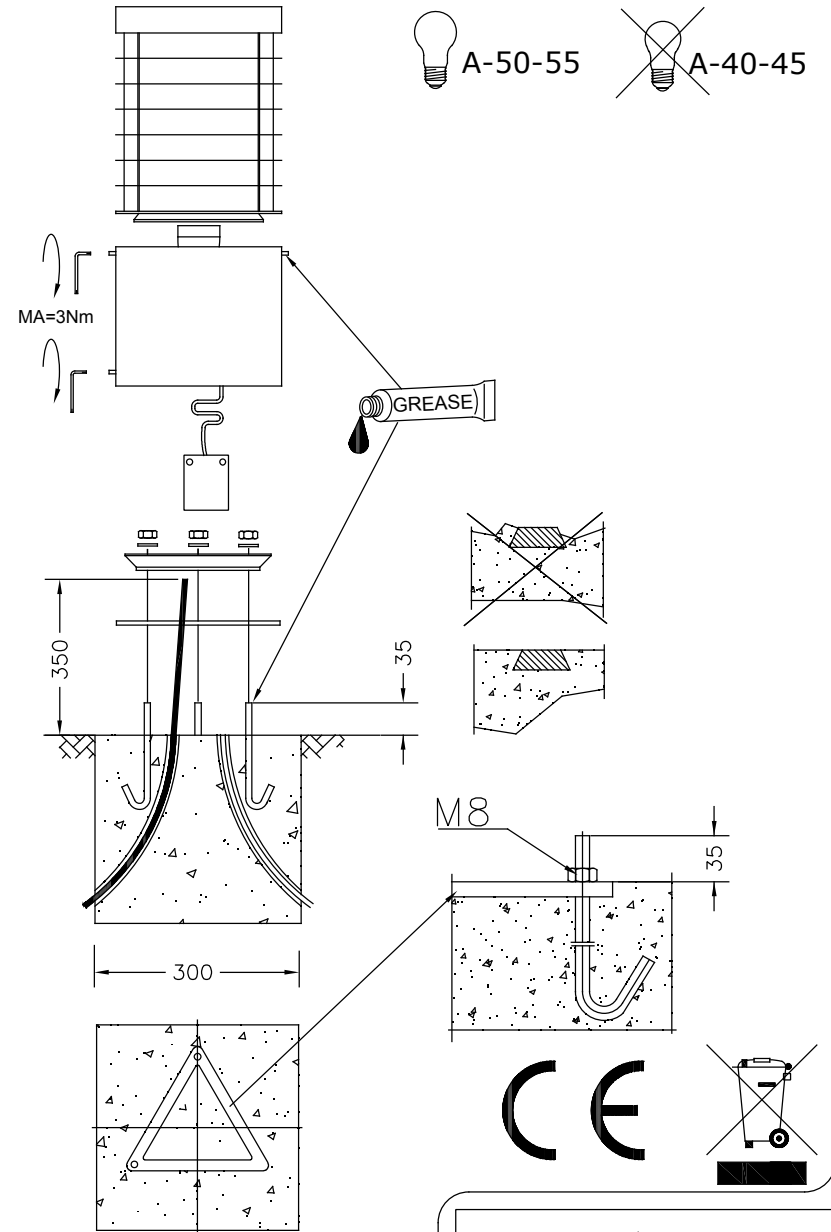
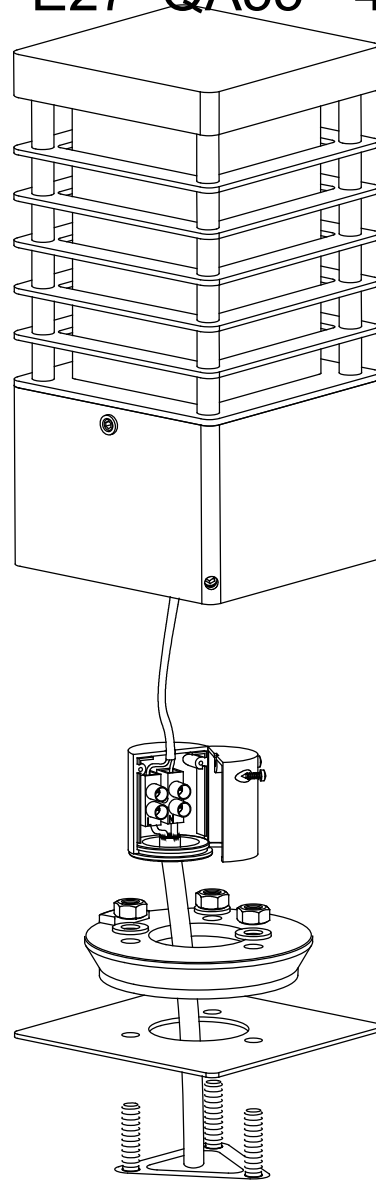
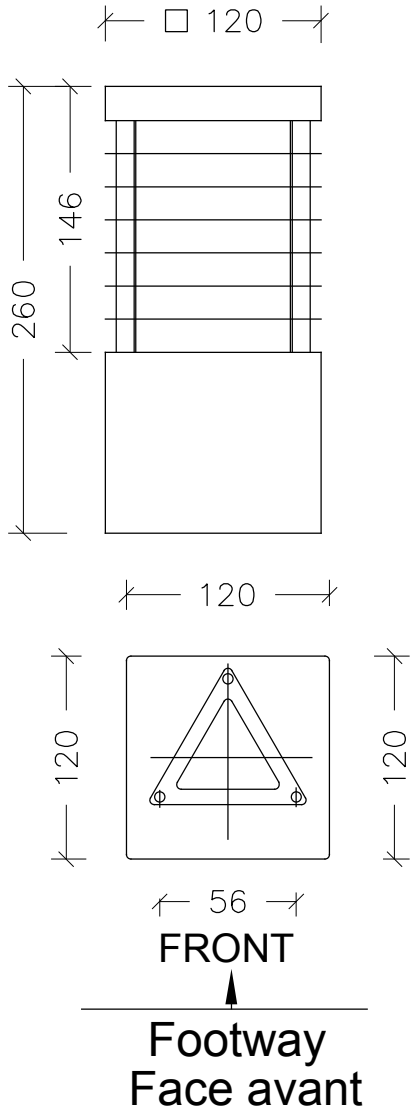
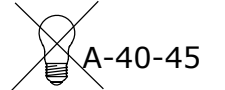
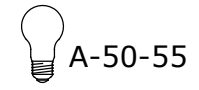
□ CLASS II

IP65

HALMSTAD

Art.:210xx0009

E27 QA55 46W



$\leq 1,5^\circ$ x=10mm
 $1,5 \div 2,5^\circ$ x=12mm

