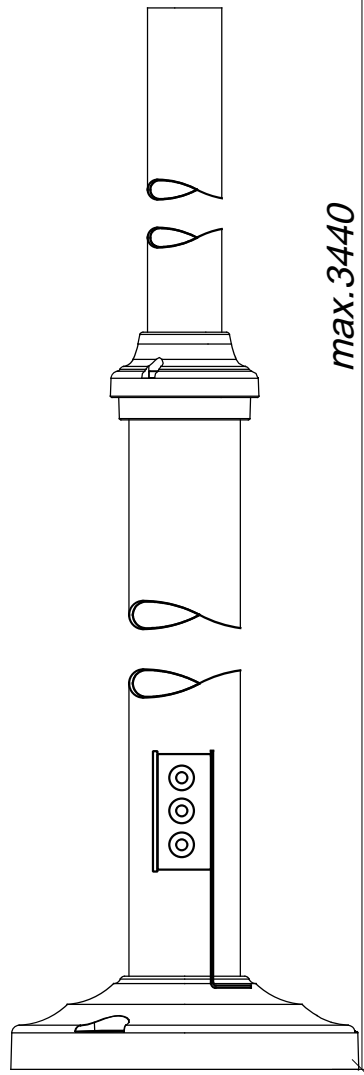
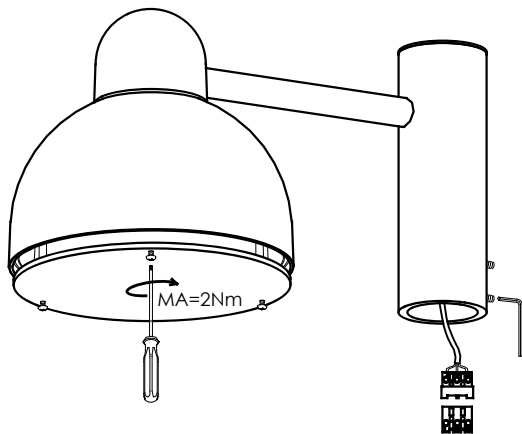
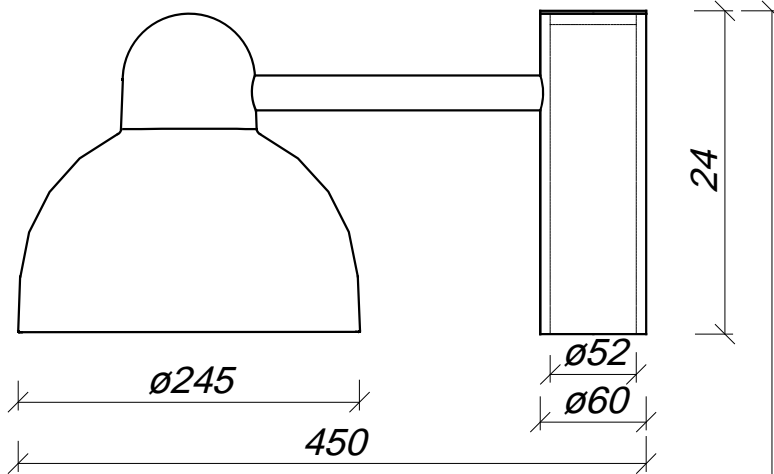
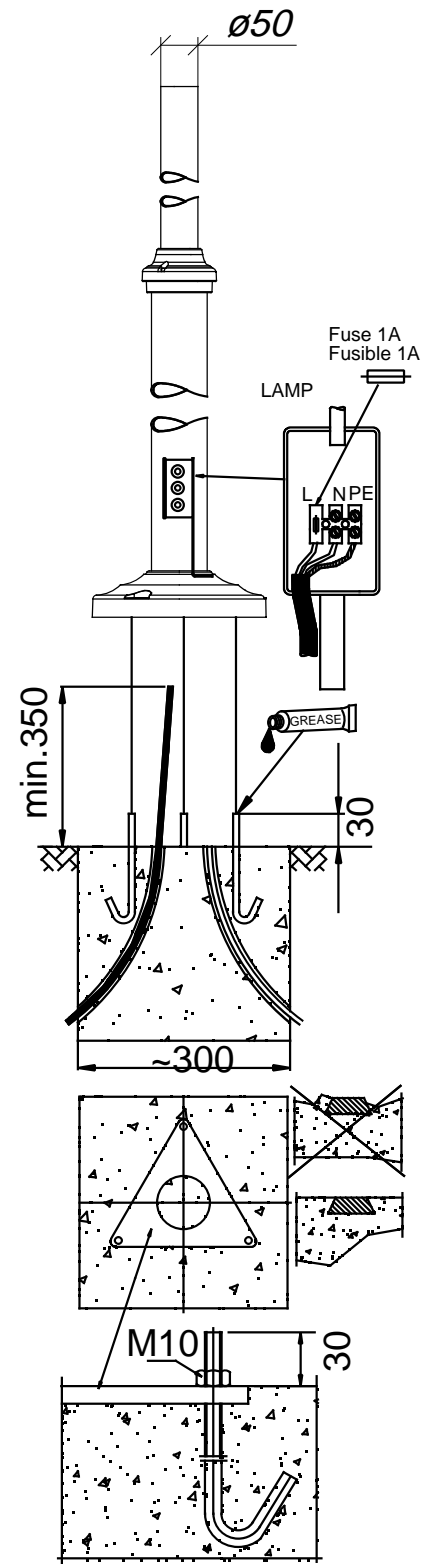


art.1914

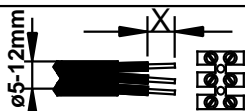
art.1915
OSRAM LED PL-CORE AC-2000-830-G1,
2000lm, 3000K, no.4052899050723 /NO DIMMING/



Art.: 1270



<1,5[□] x=10mm
1,5 ÷ 2,5[□] x=12mm



3x max.2,5[□]

