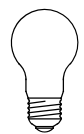
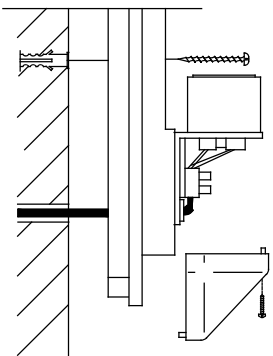
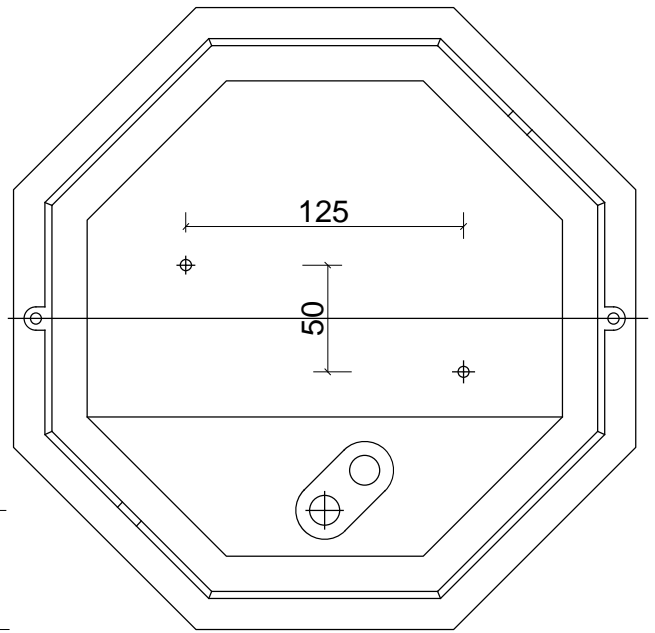
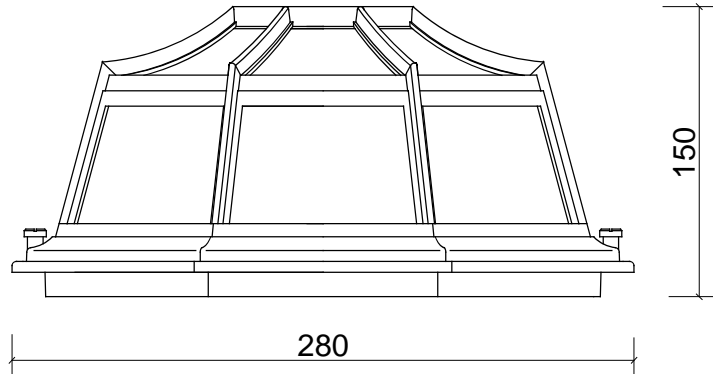
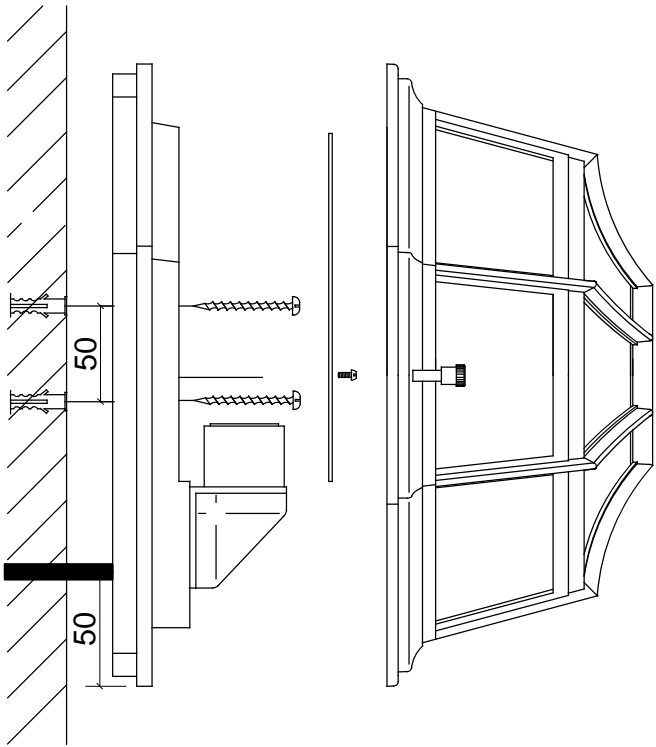


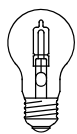
LATINA

Art.:105xx0009

E27, QA55, 46W

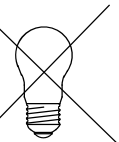
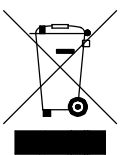


A-50-55



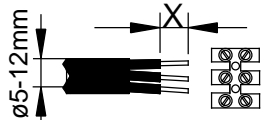
46W = 60W

57W = 75W

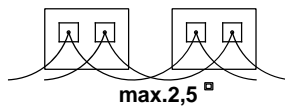


A-40-45

$<1,5^{\square}$ x=10mm
 $1,5 \div 2,5^{\square}$ x=12mm



3x max.2,5[□]



max.2,5[□]

