

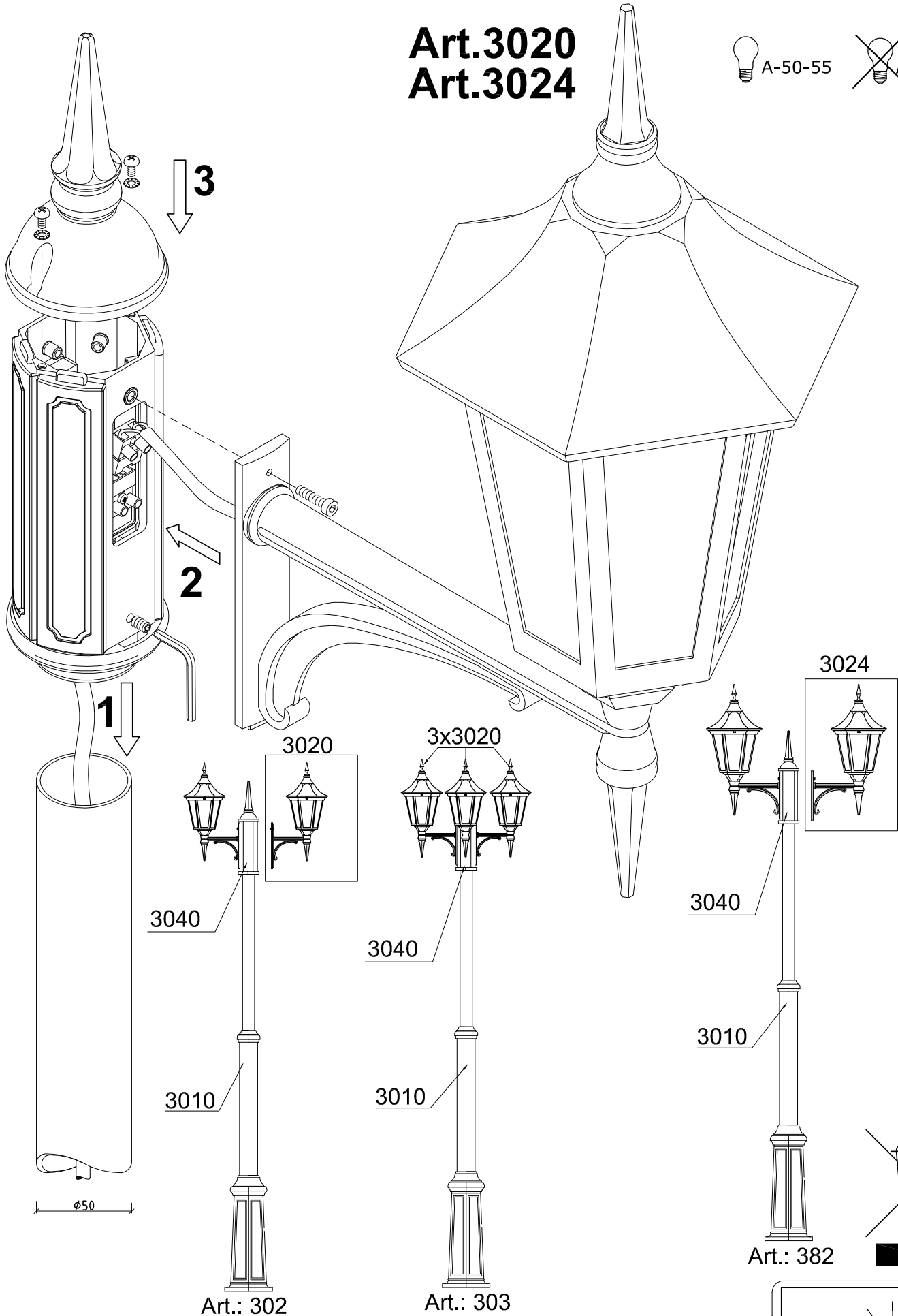


CLASS II 

Art.3020
Art.3024

 A-50-55

~~ A-40-45~~



INSTR. N°3020-3024
IX/2011

