

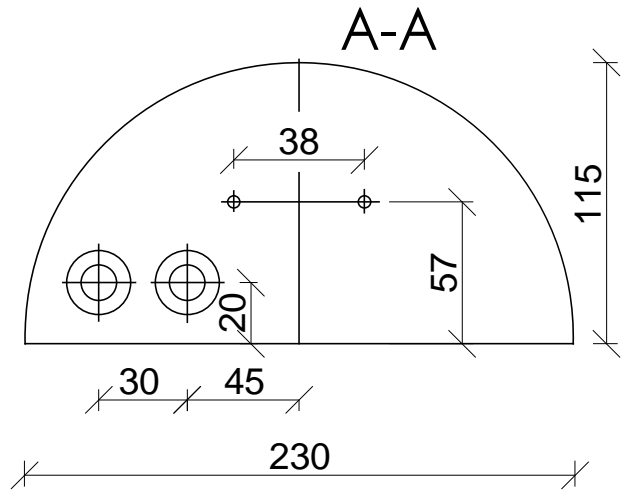
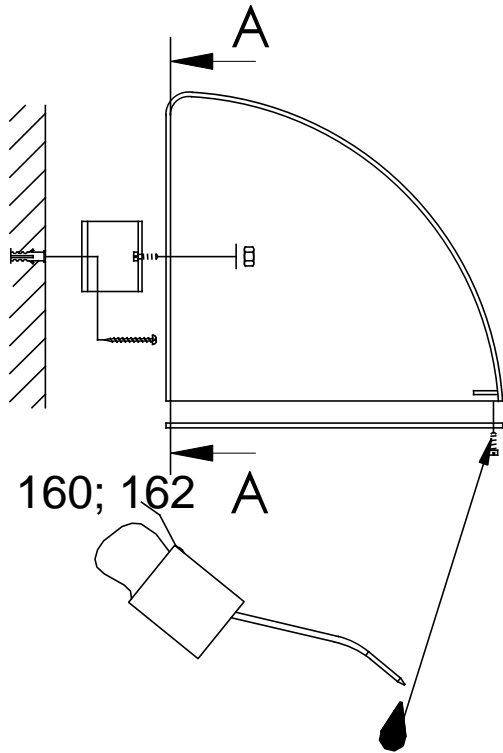
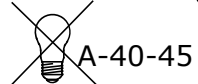
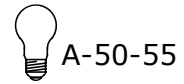
PARIS

Art.:160xx0009  
Art.:162xx0009

E27 28W  
G24d-1;

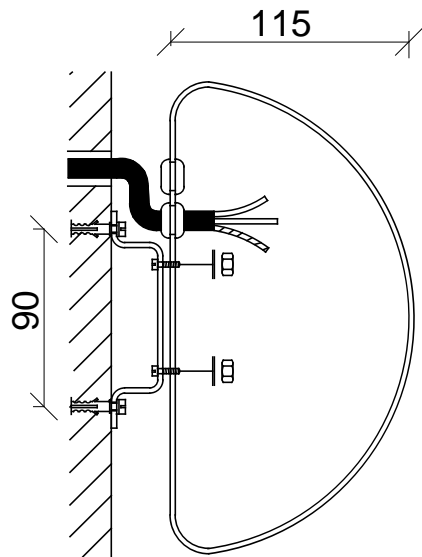
Art.:1491xx0009  
Art.:1493xx0009

G24q-1 13W  
E27 LED 7W

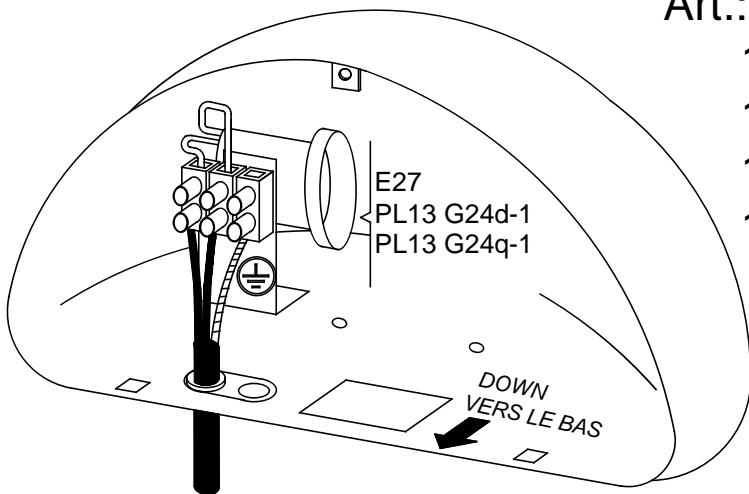


Art.: 160; 162 A

ELECTRIC CONNECTION  
CONNEXION ELEC.



Art.:  
160;  
162;  
1491;  
1493;



GASKET  
Ø6-10mm <1,5<sup>□</sup> x=10mm  
1,5 ÷ 2,5<sup>□</sup> x=12mm  
3x max.2,5<sup>□</sup>

