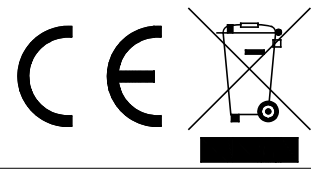
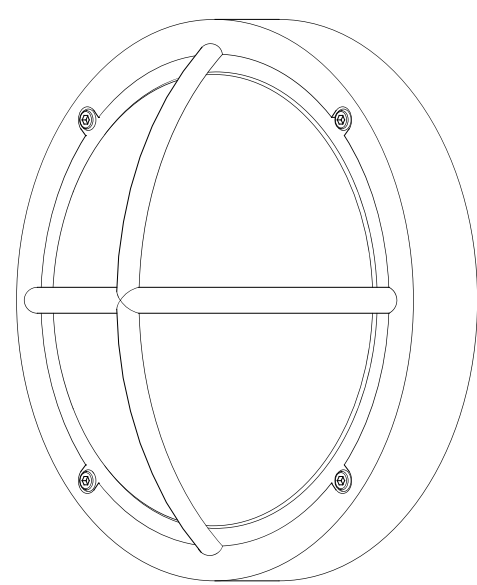
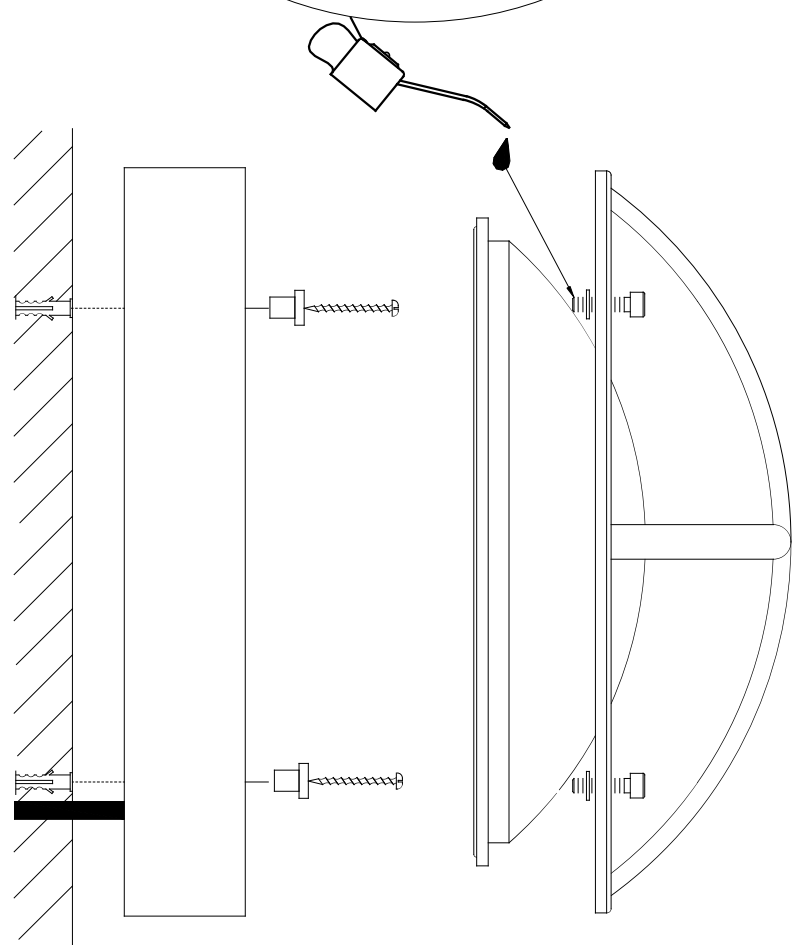
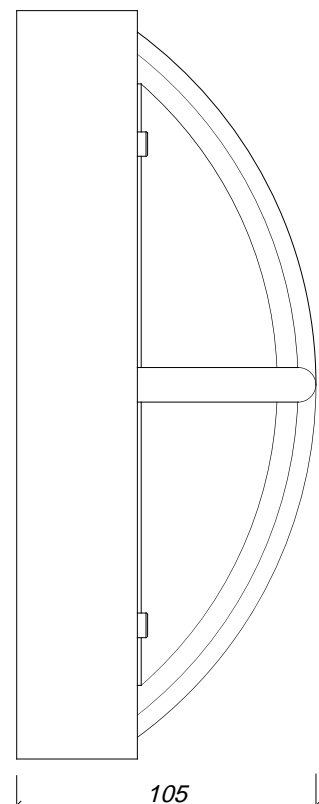
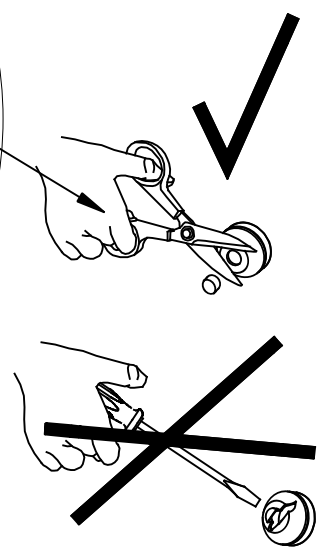
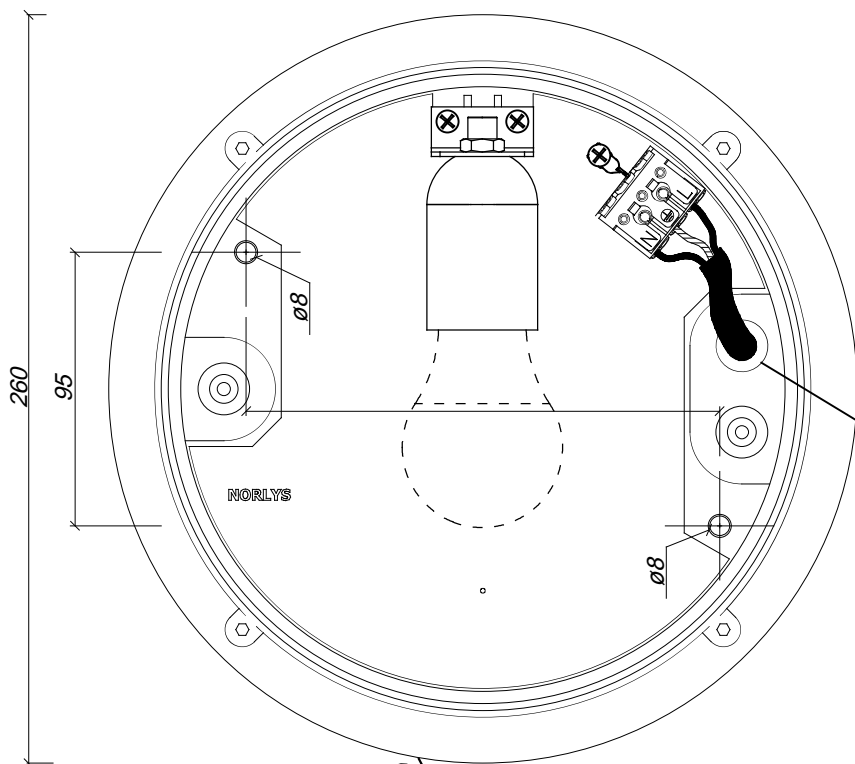
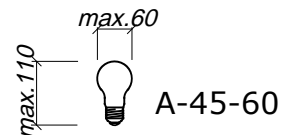
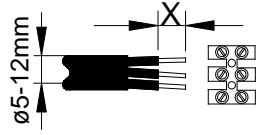


# RONDANE

## Art.538 E27 (LED, TC), max.10W, A60



$\leq 1,5^\square$  x=10mm  
 $1,5 \div 2,5^\square$  x=12mm



3x max.2,5<sup>□</sup>

