

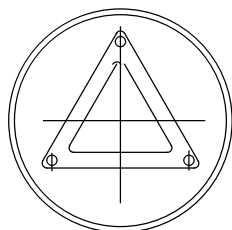
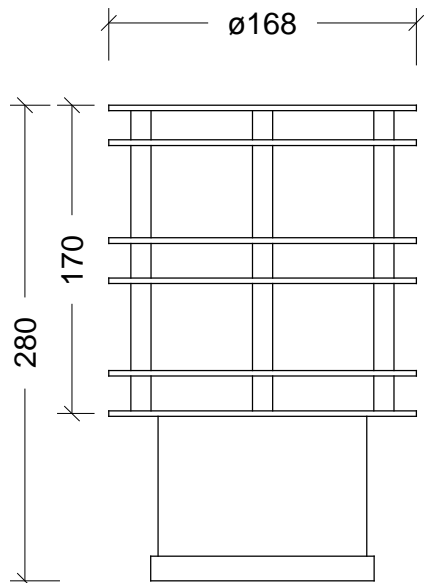
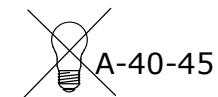
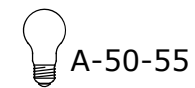
~230V 50Hz

□ CLASS II

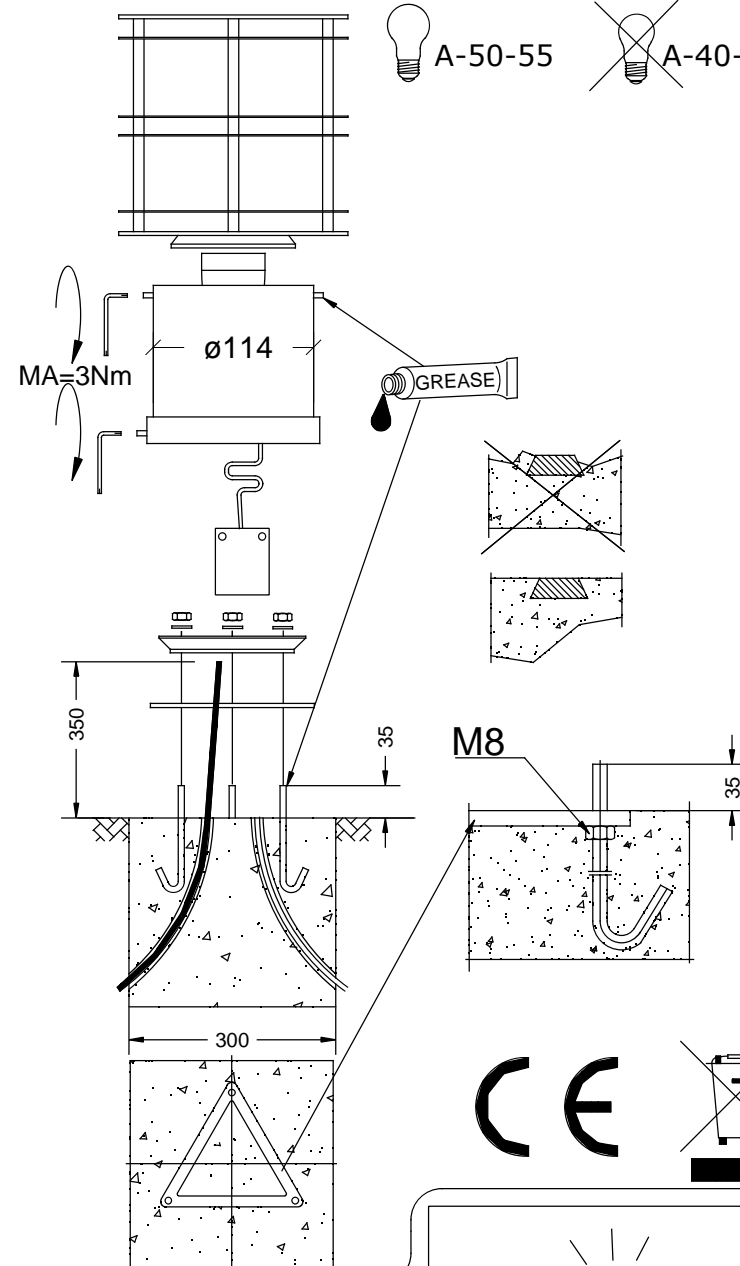
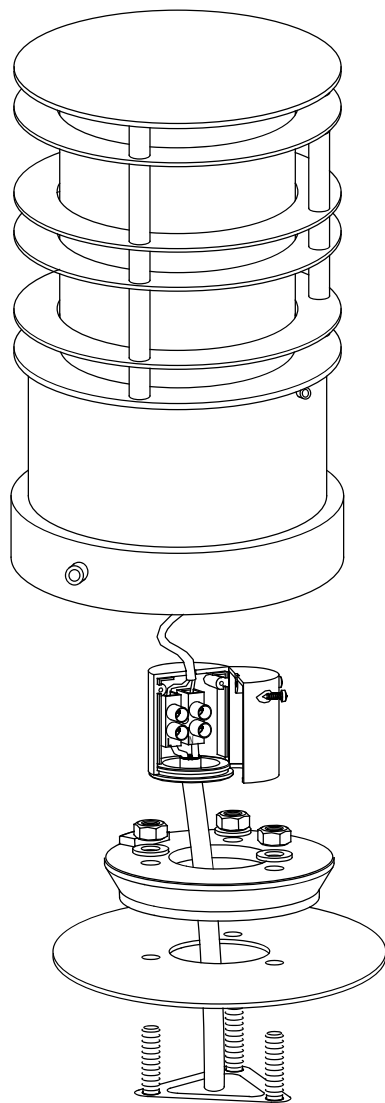
IP65

STOCKHOLM
Art.:299

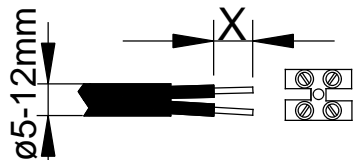
E27 QA55 46W



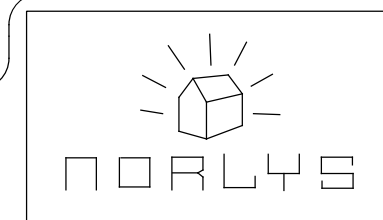
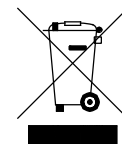
56



<1,5[□] x=10mm
1,5 ÷ 2,5[□] x=12mm



max.10[□]



INSTR. N°299

VIII/2016