

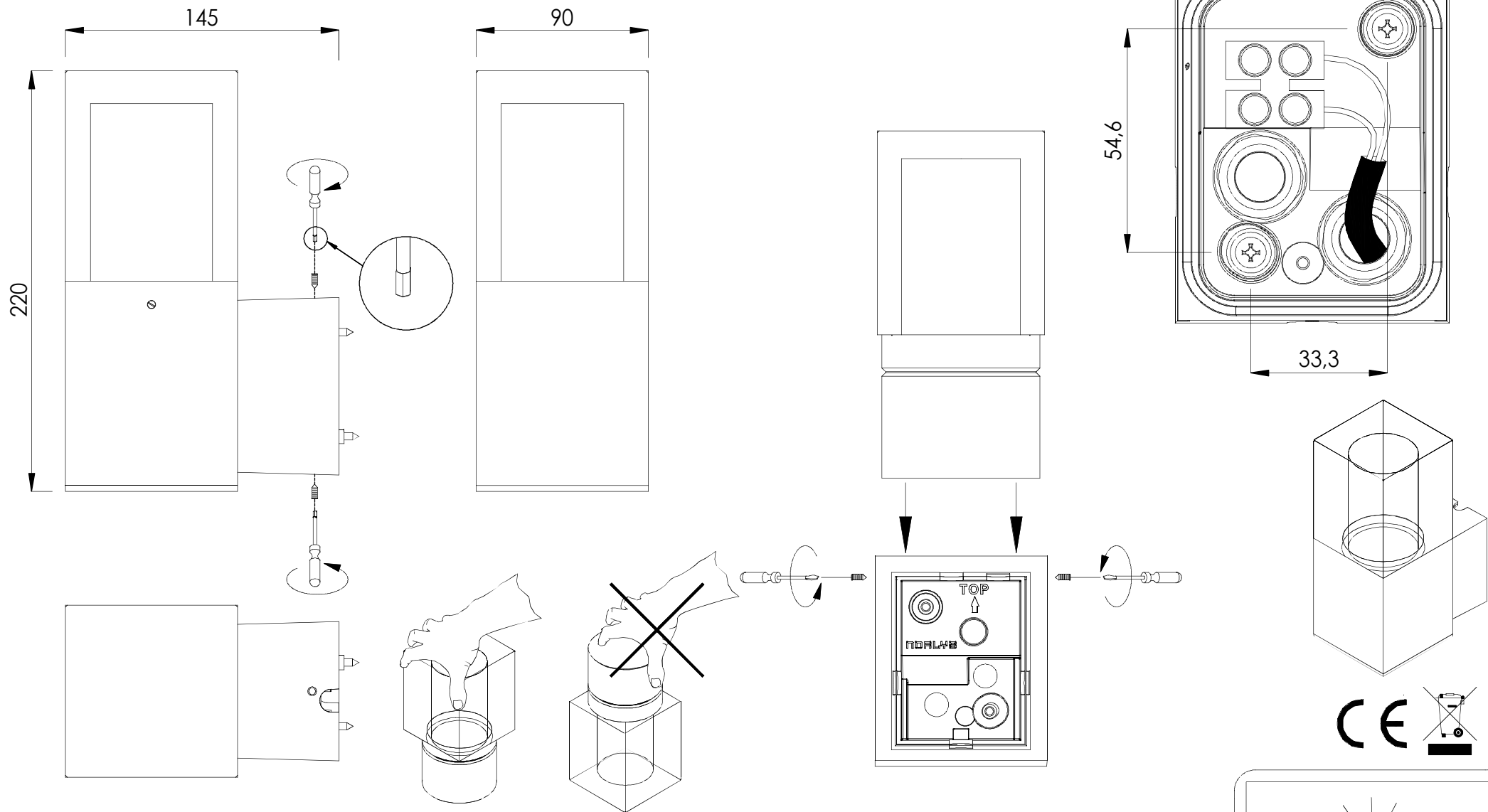
~230V

50Hz Class II

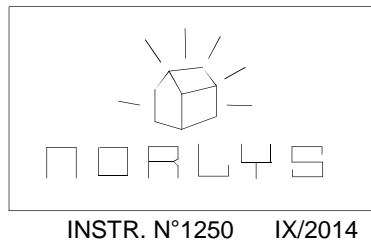
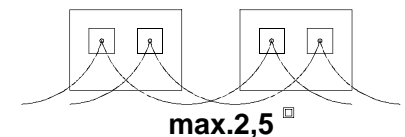
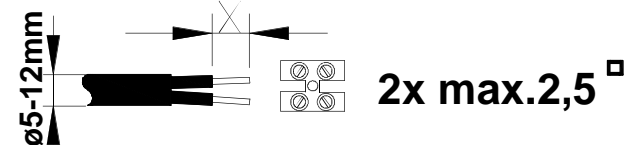
IP65

ARENDALE 1250

Art.1250 E14 QB35 Q46W



$<1,5^{\square}$ x=10mm
 $1,5 \div 2,5^{\square}$ x=12mm



INSTR. N°1250 IX/2014