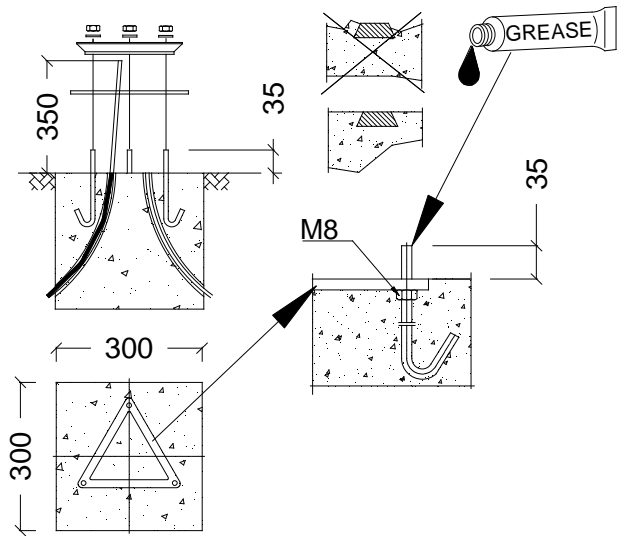
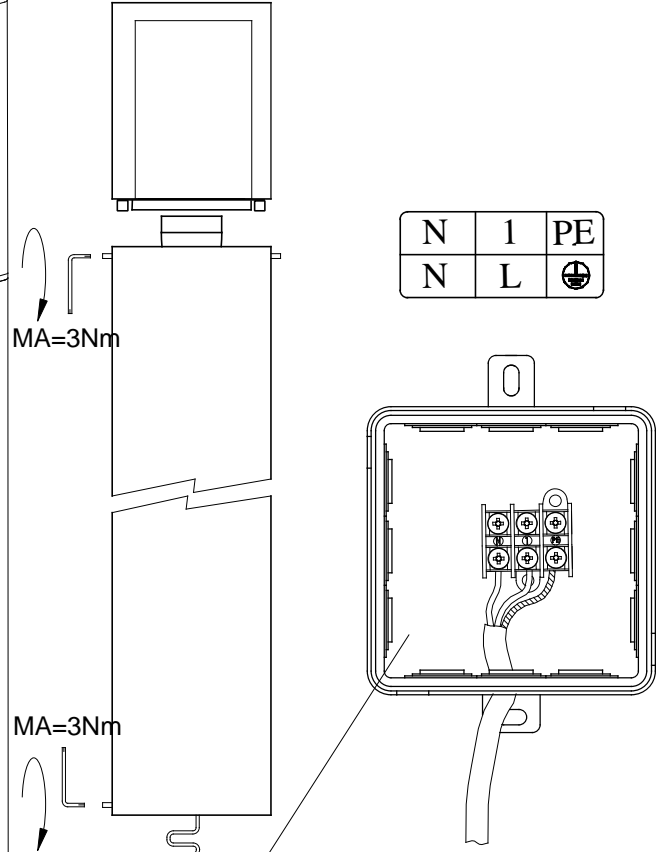
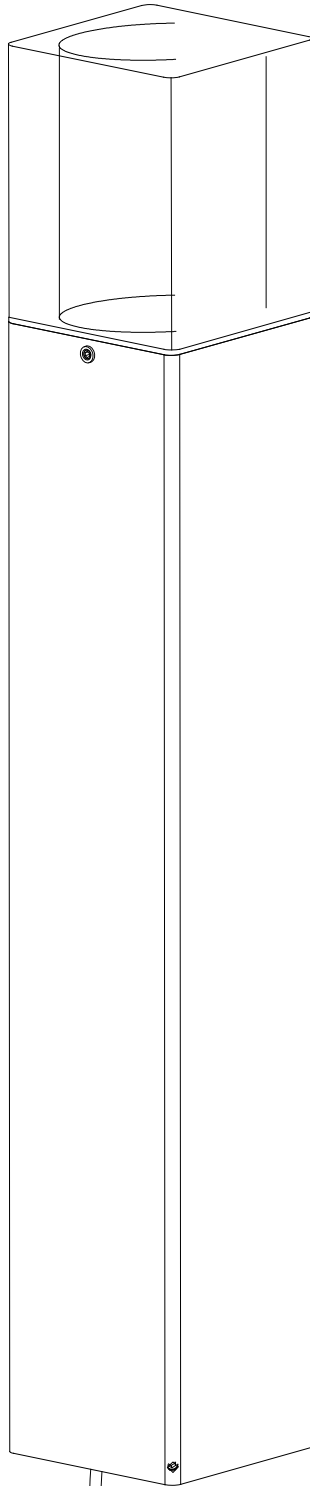
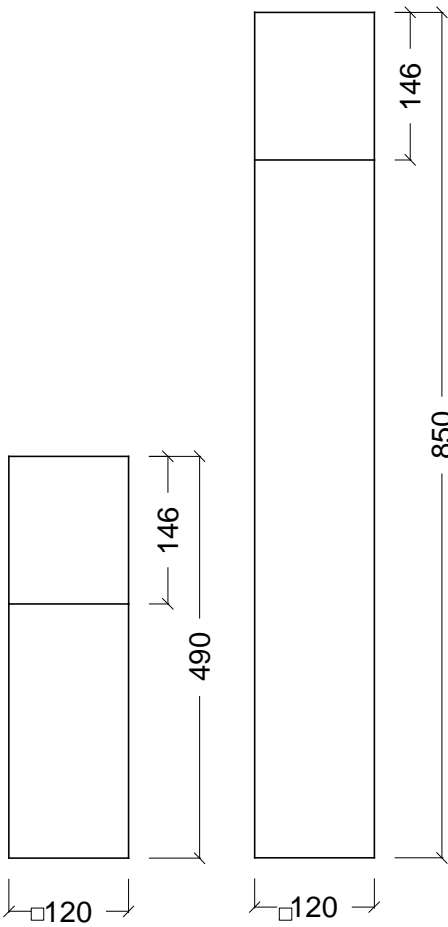
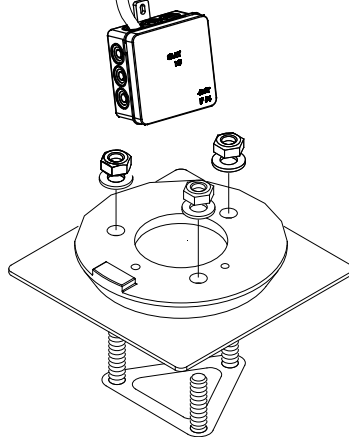
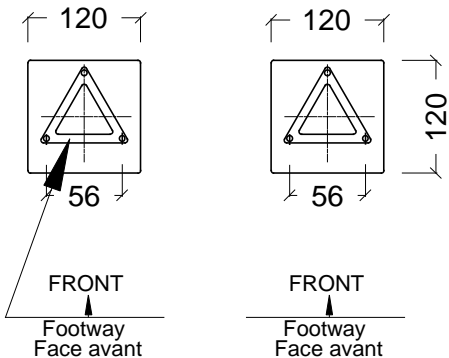


Art.: 1560, 1565



Art.: 1565 Art.: 1560



$\triangleleft 1,5^\square$ x=10mm
 $1,5 \div 2,5^\square$ x=12mm

