

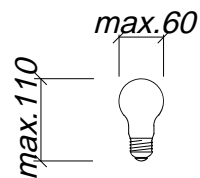
# BOLOGNA

Art.310A/xx

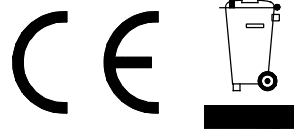
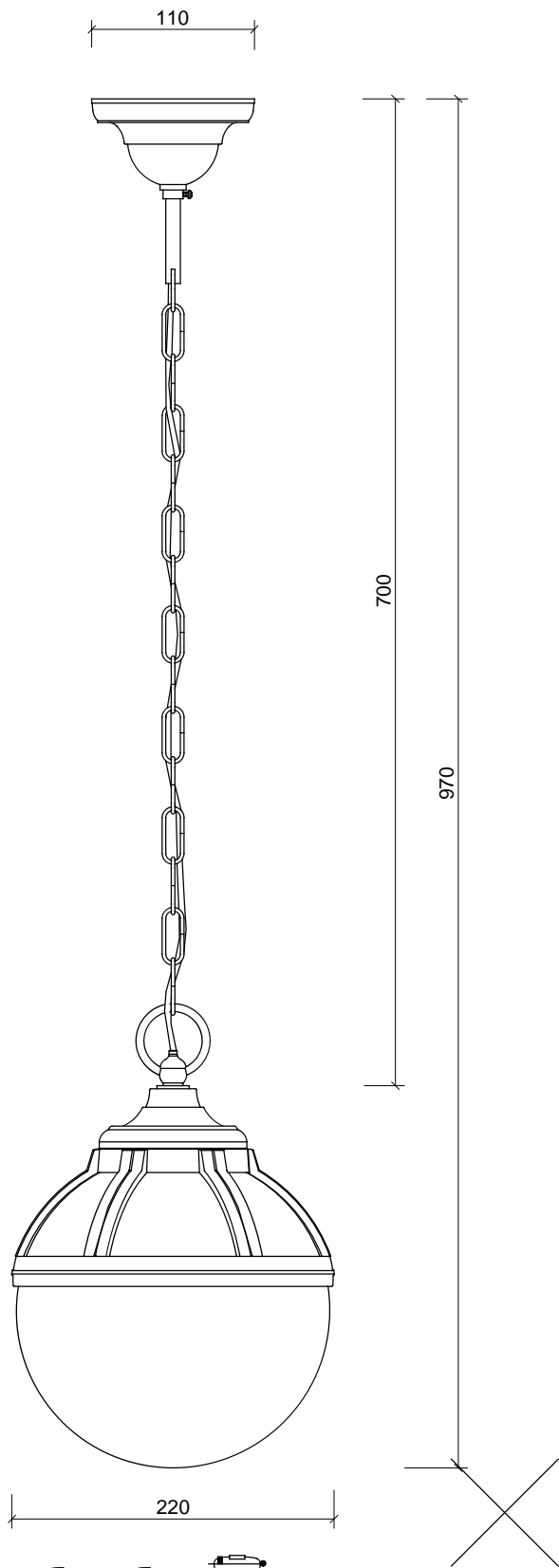
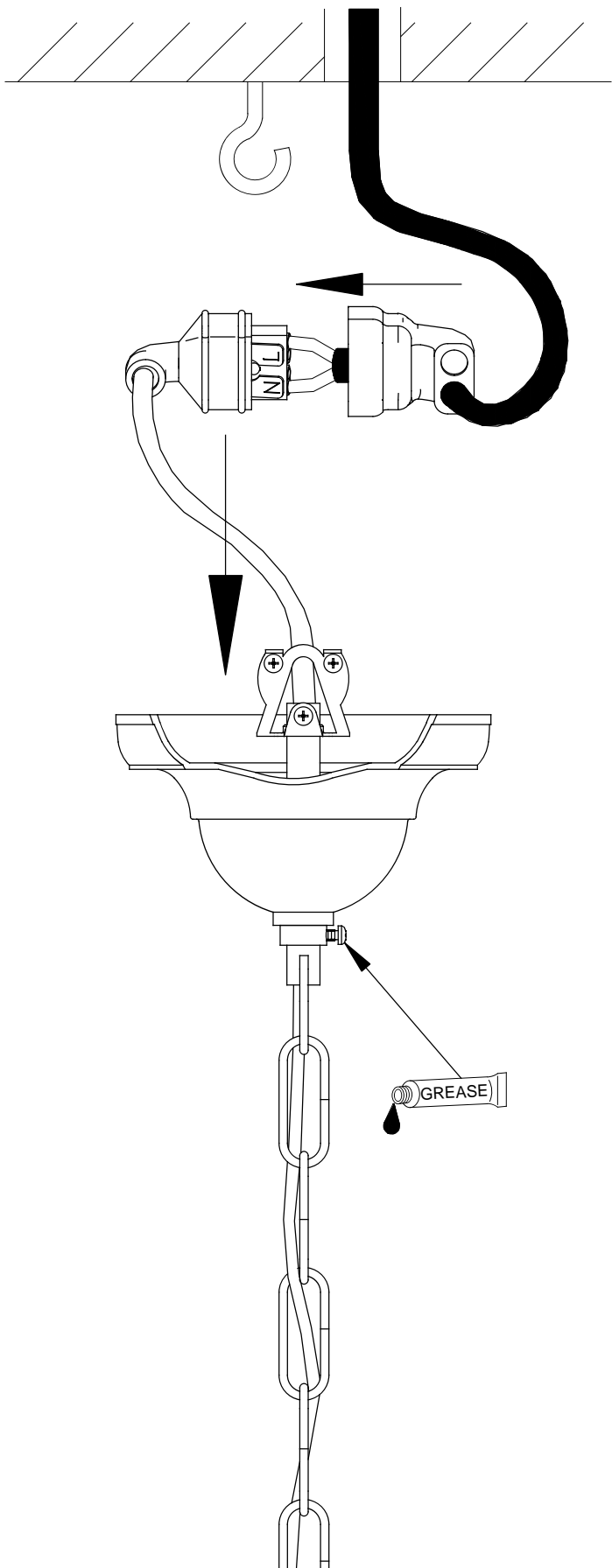
E27, 46W, QA55

Art.311A/xx

E27, 46W, QA55



A-55-60



$\triangleleft 1,5^\square$  x=10mm  
 $1,5 \div 2,5^\square$  x=12mm

