

~220...240V 50...60Hz

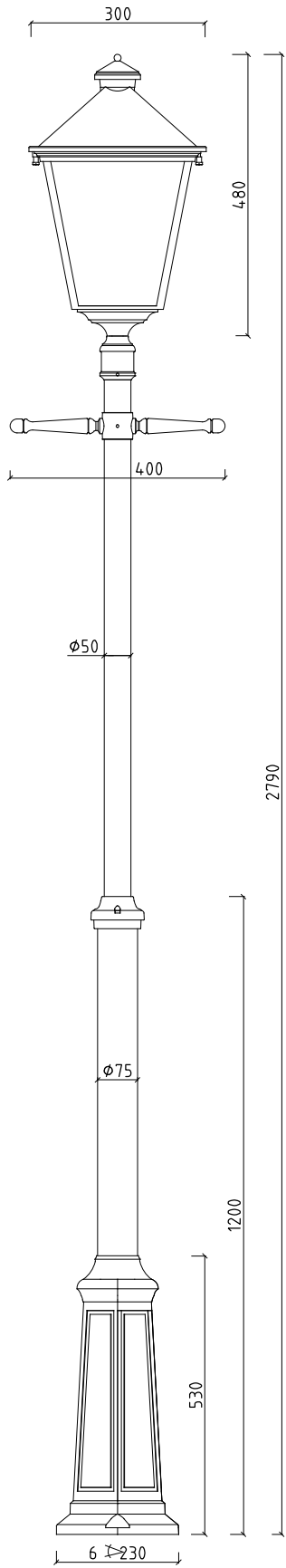
□ Class II

IP54

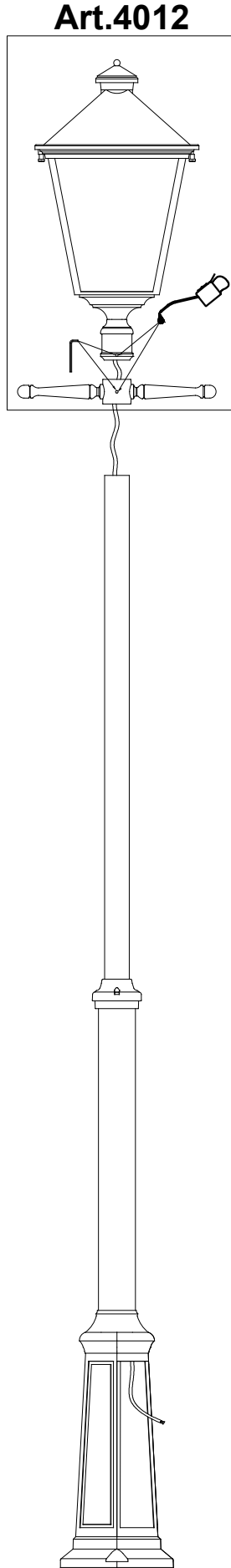
LONDON

Art.491xx0009 QA55, E27, max.77W/LED 18W

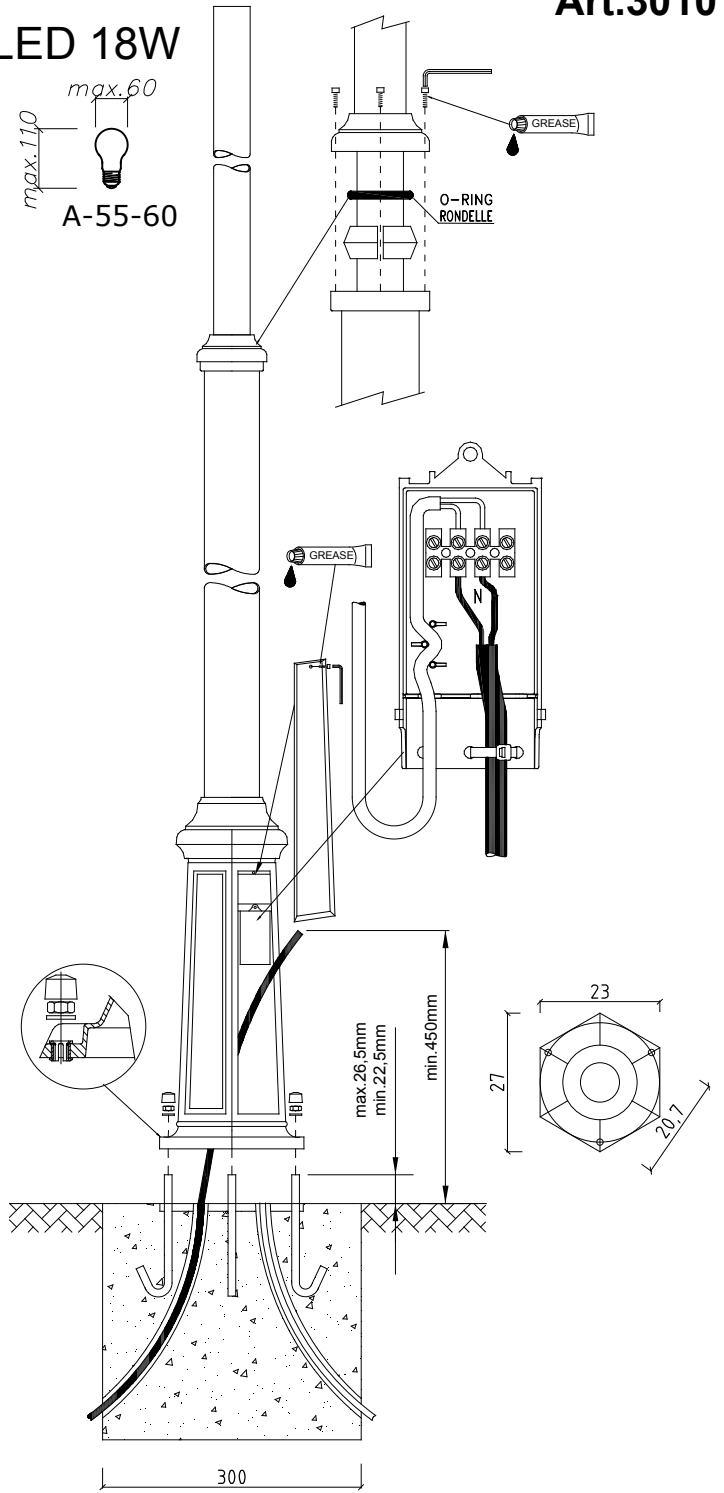
Art.3010



Art.491

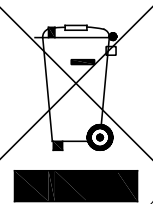


Art.4012



Art.305 or 306

CE



INSTR. N°491xx0009 IV/2017

